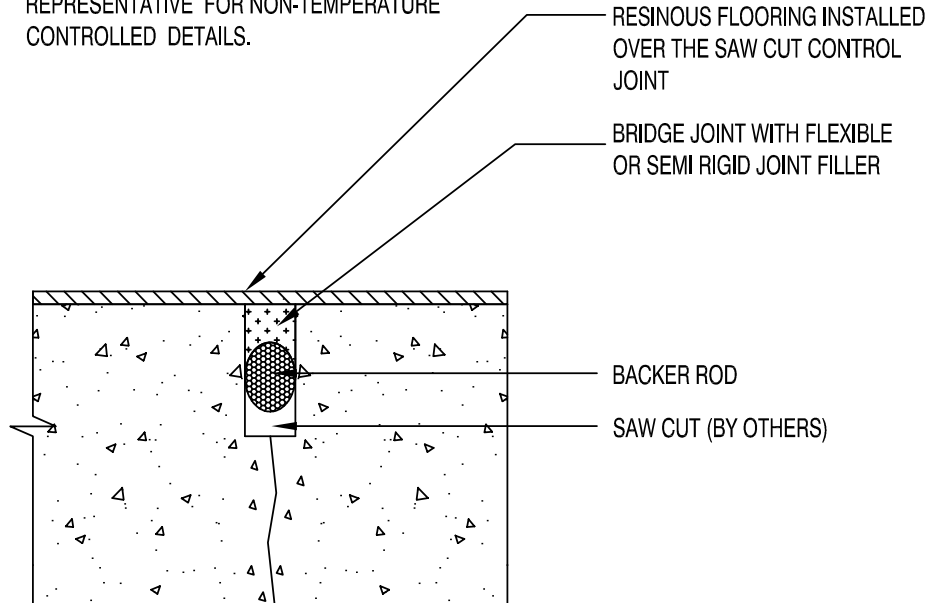




NOTE: THIS DETAIL IS INTENDED FOR USE IN TEMPERATURE CONTROLLED INSTALLATIONS.

CONTACT YOUR LOCAL SHERWIN-WILLIAMS REPRESENTATIVE FOR NON-TEMPERATURE CONTROLLED DETAILS.



J3

SAW CUT CONTROL JOINT DETAIL

NTS

<p>SHERWIN- WILLIAMS TYPICAL FLOORING DETAIL SAW CUT DETAIL TEMPERATURE CONTROLLED ENVIRONMENT</p>	<p>J3</p>
---	------------------