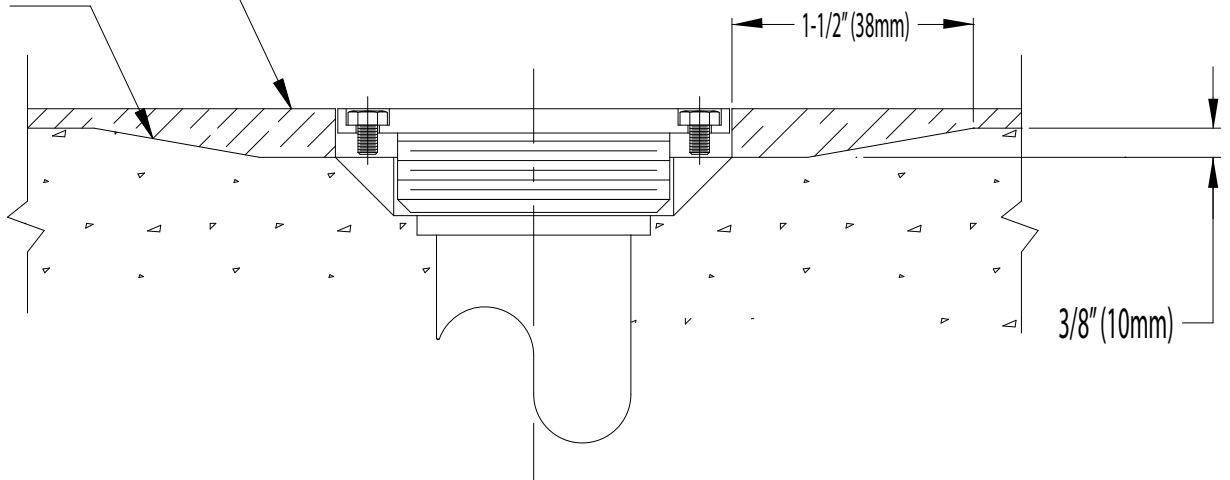


ACCELERA FLOORING

KEYED EDGE



**SHERWIN  
WILLIAMS®**

HIGH  
PERFORMANCE  
FLOORING

sherwin-williams.com/resinflooring  
(660) 638-5089

**TITLE**

ACCELERA C, Q, B, HC, HQ, HB  
DRAIN DETAIL

**DATE**

6 / 15

**SCALE**

NTS

**DWG NO.**

AF-14

**PROJECT**