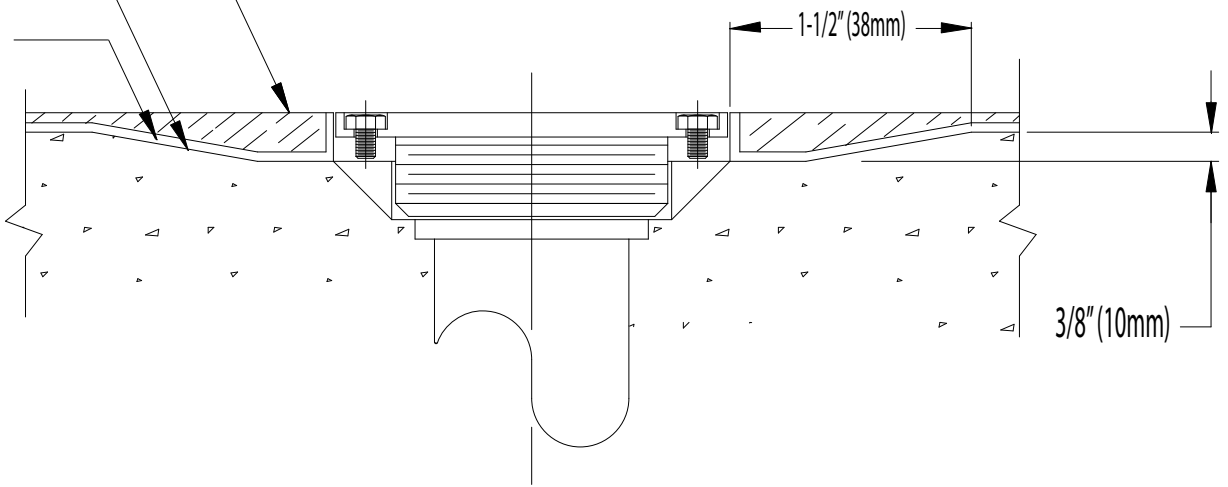


EPOXY FLOORING  
 KEYED EDGE  
 RESUFLOOR EOC  
 (20 MIL)



HIGH PERFORMANCE FLOORING

sherwin-williams.com/resinflooring  
 (660) 638-5089

TITLE		<b>EPOXY FLOORING DRAIN DETAIL</b>	
DATE	12 / 11	SCALE	AS NOTED
DWG NO.	<b>EF-16</b>	PROJECT	